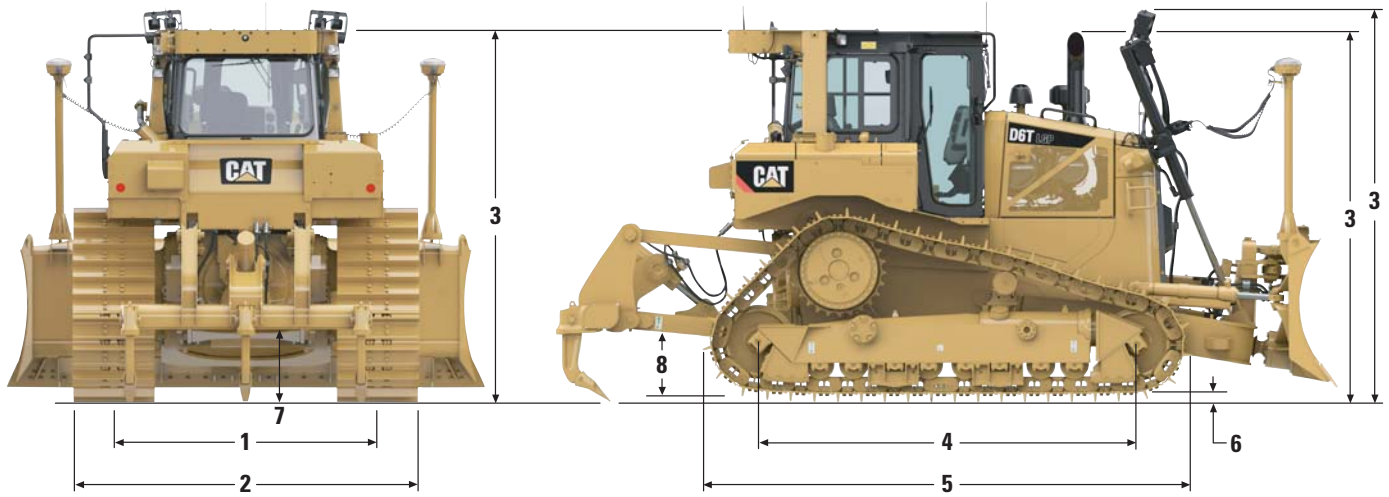


D6T Track-Type Tractor Specifications

Dimensions

All dimensions are approximate.



	XL		XW		LGP	
1 Track gauge	1880 mm	6 ft 2 in	2032 mm	6 ft 8 in	2286 mm	7 ft 6 in
2 Width of tractor over trunnions	2690 mm	8 ft 10 in	2944 mm	9 ft 8 in	3480 mm	11 ft 5 in
Width of tractor without trunnions (standard track)	2590 mm	8 ft 6 in	2792 mm	9 ft 2 in	3201 mm	10 ft 6 in
3 Machine height** from tip of grouser:						
ROPS	3185 mm	10 ft 5 in	3185 mm	10 ft 5 in	3235 mm	10 ft 7 in
Premium Light Package	3341 mm	11 ft 0 in	3341 mm	11 ft 0 in	3097 mm	11 ft 1 in
Height to top of Sweeps (not shown)	3199 mm	10 ft 6 in	3199 mm	10 ft 6 in	3249 mm	10 ft 8 in
4 Length of track on ground	2860 mm	9 ft 5 in	2860 mm	9 ft 5 in	3270 mm	10 ft 9 in
5 Length of basic tractor	4250 mm	13 ft 9 in	4250 mm	13 ft 9 in	4546 mm	14 ft 11 in
With following attachments add:						
Drawbar	218 mm	9 in	218 mm	9 in	229 mm	9 in
Ripper Multi-shank (tip at ground line)	1395 mm	4 ft 7 in	1395 mm	4 ft 7 in	1259 mm	4 ft 2 in
Winch	570 mm	22 in	570 mm	22 in	435 mm	17 in
S Blade	—	—	—	—	947 mm	3 ft 1 in
SU Blade	1068 mm	3 ft 6 in	1068 mm	3 ft 6 in	—	—
A Blade	1007 mm	3 ft 4 in	1068 mm	3 ft 6 in	1305 mm	4 ft 4 in
A Blade angled approximately 25° for transport	837 mm	33 in	889 mm	35 in	989 mm	38.9 in
6 Height of grouser	65 mm	2.6 in	65 mm	2.6 in	65 mm	2.6 in
7 Ground clearance	372 mm	15 in	372 mm	15 in	406 mm	16 in
Oscillation at front idler	141 mm	5.5 in	137 mm	5.4 in	163 mm	6.4 in
Track pitch	203 mm	8 in	203 mm	8 in	203 mm	8 in
Number of shoes per side	41		41		45	
Track rollers/carrier rollers per side	7/1		7/1		8/1	
Standard shoe width (moderate service)	560 mm	22 in	760 mm	30 in	915 mm	36 in
Ground contact area (standard track)*	3.54 m ²	5,489 in ²	4.81 m ²	7,449 in ²	6.53 m ²	10,122 in ²
Ground pressure*	58.1 kPa	8.4 psi	44.5 kPa	6.4 psi	34.4 kPa	4.99 psi
8 Drawbar height	576 mm	23 in	576 mm	23 in	626 mm	25 in
From ground face of shoe	511 mm	20 in	511 mm	20 in	561 mm	22 in

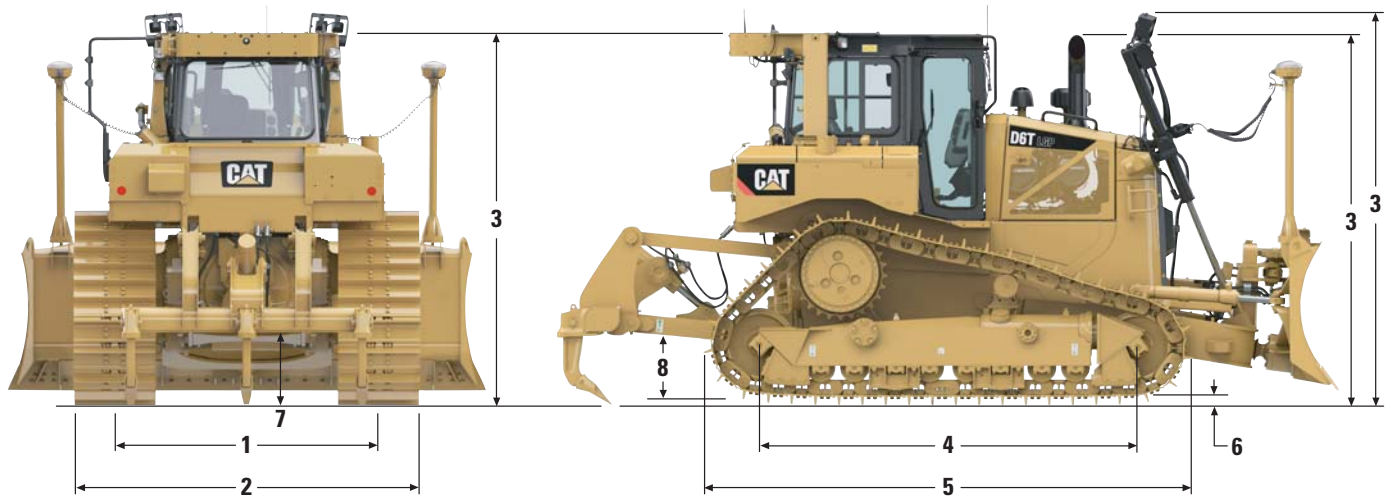
*All dimensions above with SystemOne undercarriage. XL and XW with SU blade, LGP with S blade with no rear attachments unless otherwise specified and calculated per ISO 16754.

**When Cat Grade Control 3D antennas are installed, overall machine height increases by approximately 82 mm/3.2 in.

D6T Track-Type Tractor Specifications

Dimensions

All dimensions are approximate.



	XL VPAT		XW VPAT		LGP VPAT	
1 Track gauge	2134 mm	7 ft 0 in	2286 mm	7 ft 6 in	2286 mm	7 ft 6 in
2 Width of tractor over trunnions	—	—	—	—	—	—
Width of tractor without trunnions (standard track)	2717 mm	8 ft 11 in	2996 mm	9 ft 10 in	3143 mm	10 ft 4 in
3 Machine height** from tip of grouser:						
ROPS	3185 mm	10 ft 5 in	3235 mm	10 ft 7 in	3235 mm	10 ft 7 in
Premium Light Package	3308 mm	10 ft 10 in	3358 mm	11 ft 1 in	3358 mm	11 ft 1 in
Height to top of Sweeps (not shown)	3199 mm	10 ft 6 in	3249 mm	10 ft 8 in	3249 mm	10 ft 8 in
4 Length of track on ground	2860 mm	9 ft 5 in	3270 mm	10 ft 9 in	3270 mm	10 ft 9 in
5 Length of basic tractor	4950 mm	16 ft 3 in	5086 mm	16 ft 8 in	5086 mm	16 ft 8 in
With following attachments add:						
Drawbar	218 mm	9 in	229 mm	9 in	229 mm	9 in
Ripper Multi-shank (tip at ground line)	1395 mm	4 ft 7 in	1259 mm	4 ft 2 in	1259 mm	4 ft 2 in
Winch	570 mm	22 in	435 mm	17 in	435 mm	17 in
S Blade	—	—	—	—	—	—
SU Blade	—	—	—	—	—	—
VPAT Blade	420 mm	1 ft 5 in	420 mm	1 ft 5 in	420 mm	1 ft 5 in
VPAT Blade angled approximately 25° for transport	670 mm	26.4 in	720 mm	28.3 in	720 mm	28.3 in
6 Height of grouser	65 mm	2.6 in	65 mm	2.6 in	65 mm	2.6 in
7 Ground clearance	372 mm	15 in	406 mm	16 in	406 mm	16 in
Oscillation at front idler	141 mm	5.5 in	163 mm	6.4 in	163 mm	6.4 in
Track pitch	203 mm	8 in	203 mm	8 in	203 mm	8 in
Number of shoes per side		41		45		45
Track rollers/carrier rollers per side		7/1		8/1		8/1
Standard shoe width (moderate service)	560 mm	22 in	710 mm	28 in	785 mm	31 in
Ground contact area (standard track)*	3.54 m ²	5,489 in ²	5.10 m ²	7,909 in ²	5.60 m ²	8,684 in ²
Ground pressure*	65.5 kPa	9.5 psi	46.4 kPa	6.7 psi	42.6 kPa	6.2 psi
8 Drawbar height	576 mm	23 in	626 mm	25 in	626 mm	25 in
From ground face of shoe	511 mm	20 in	561 mm	22 in	561 mm	22 in

*All dimensions above with SystemOne undercarriage. XL and XW with SU blade, LGP with S blade with no rear attachments unless otherwise specified and calculated per ISO 16754.

**When Cat Grade Control 3D antennas are installed, overall machine height increases by approximately 82 mm/3.2 in.